



Introduction

Are controllers who works with corresponding remote or RF wall panel.

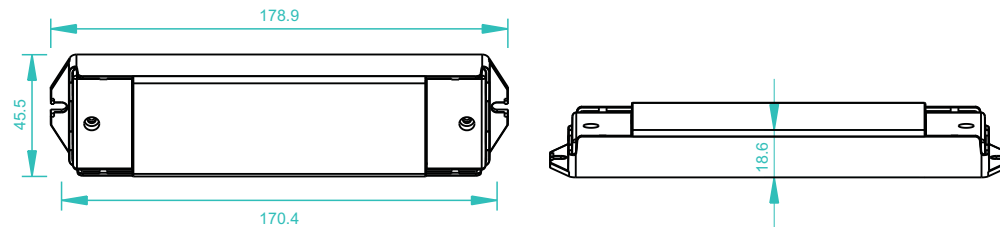
Parameter

Part No.	Input Voltage	Current	Output	Remarks
860360	12-36VDC	4x8A	4x(96-288)W	Constant voltage
860362	12-36VDC	4x350mA	4x(4.2-12.6)W	Constant current
860364	12-36VDC	4x700mA	4x(8.4-25.2)W	Constant current

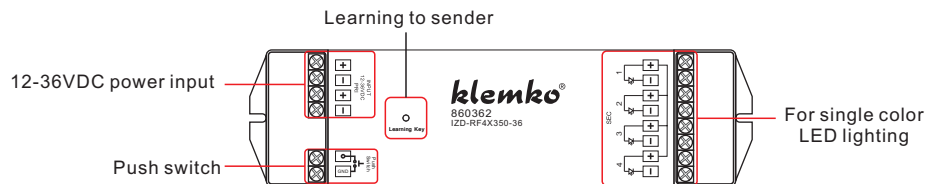
Suitable sender

860370	IZD-RF-DIM-MI
860374	IZD-RF-DIM-BURO
860380	IZD-RF-DIM256RC
860382	IZD-RF-DIM5Z-RC

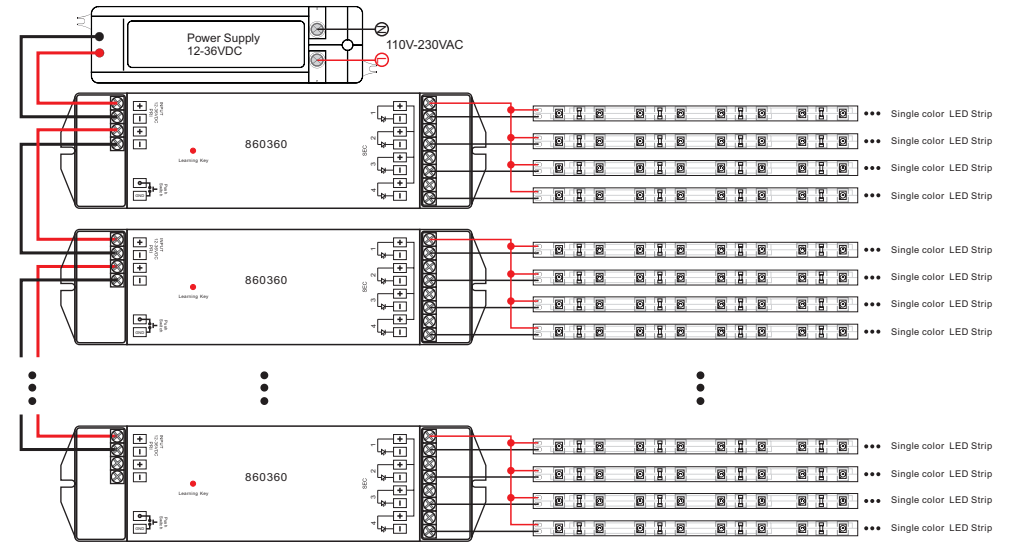
Product Size



Brief introduction of buttons



Wiring diagram



Operation

Learning:

- 1) Install products as wire diagram
- 2) Short press learning key of receiver
- 3) Press any button of sender
- 4) LED lighting will flash indicate learning successfully.

Safety & Warnings

- 1) The product shall be installed and serviced by a qualified person.
- 2) IP20. Please avoid the sun and rain. When installed outdoors, please ensure it is mounted in a water proof enclosure.
- 3) Always be sure to mount this unit in an area with proper ventilation to avoid overheating.
- 4) Please check if the output voltage of any LED power supplies used comply with the working voltage of the product.
- 5) Never connect any cables while power is on and always assure correct connections to avoid short circuits before switching on.
- 6) Please ensure that the cable is secured tightly in the connector
- 7) For update information please consult your supplier.

Warranty Agreement

- 1) We provide lifelong technical assistance with this product:
 - 3-year warranty. We print date on every products, for example :1125 means year 2011, week 25. The warranty is for free repair or replacement and covers manufacturing faults only.
 - For faults beyond the 3-year warranty we reserve the right to charge for time and parts.
- 2) Limited Warranty
 - Any defects caused by wrong operation.
 - Any damages caused by unauthorized removal, maintenance, modifying, incorrect connection and replacement of chips.
 - Any damages due to transportation, vibration etc. after purchase.
 - Any damages caused by earthquake, fire, lightning, pollution and abnormal voltage.
 - Any damages caused by negligence, inappropriate storing at high temperatures and humidity or near harmful chemicals.
 - Product has been updated
- 3) Repair or replacement as provided under this warranty is the exclusive remedy to the customer.